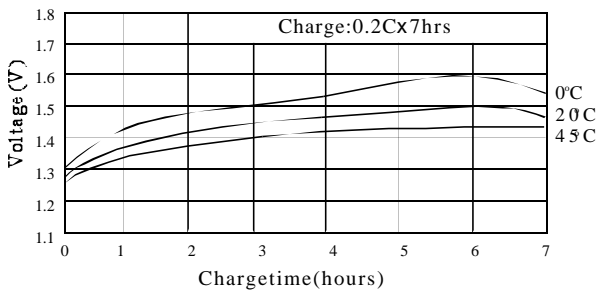


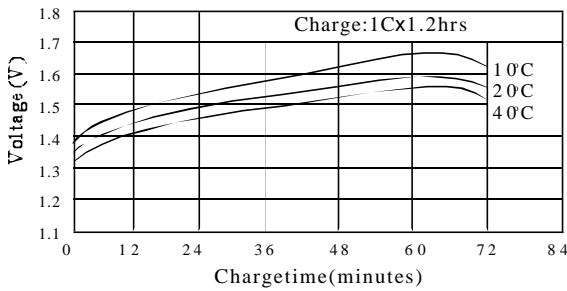
DATA SHEET

General Characteristics

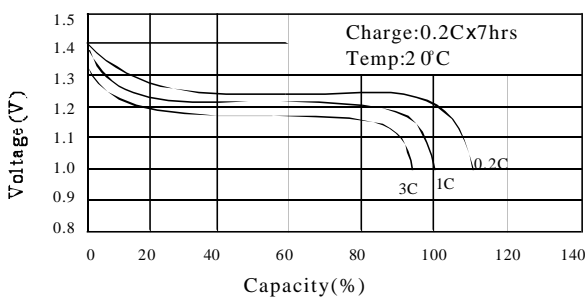
Standardcharge



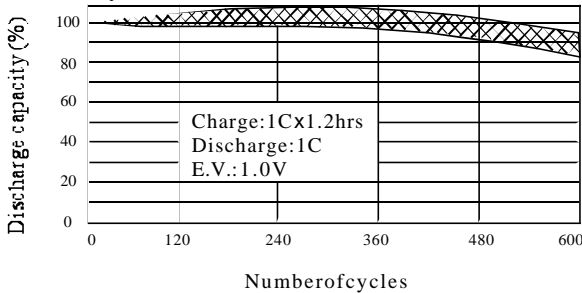
Fastcharge



Dischargecharacteristicat 20°C

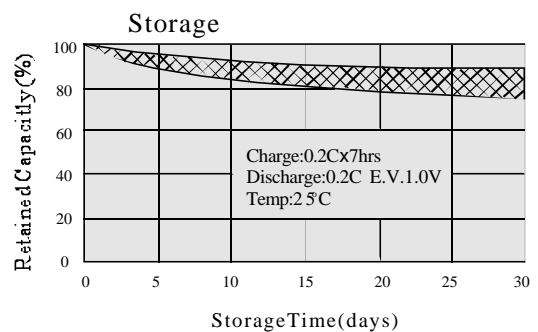
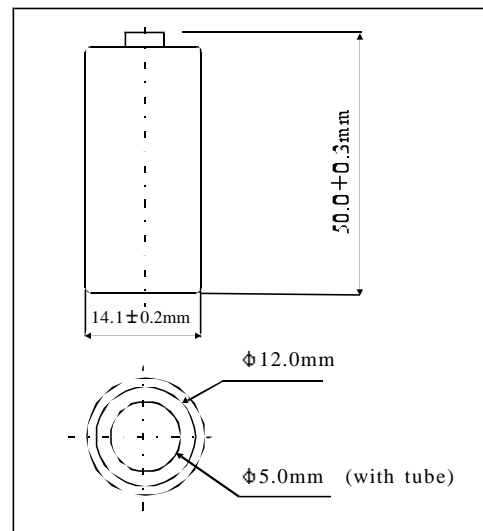


Cycle life



Specifications

| | | | |
|-------------------------------|-----------------|----------------------|------|
| Nominal Voltage | | 1.2V | |
| Capacity (mAh) | | C/5 | 1C |
| | Nominal | 1500 | 1350 |
| | Typical | 1650 | 1500 |
| Dimension | Diameter | 13.9±0.2mm | |
| | Height | 50.0±0.3mm | |
| Approx Weight | | 25g | |
| Internal Resistance (at 1KHz) | | ≲25mΩ (full charged) | |
| Charge | Standard | 300mA x 7hrs | |
| | Fast | 1500mA x 1.2hrs | |
| | Trickle | 45-75 mA | |
| Discharge Cut-off Voltage | | 1.0V | |
| Cycle Life | | ≳500 | |
| Ambient Temperature | Standard Charge | 0-50°C | |
| | Fast Charge | 10-50°C | |
| | Trickle Charge | 0-45°C | |
| | Discharge | -20-60°C | |
| | Storage | -20-45°C | |
| Relative Humidity | | 65±20% | |



Note:

- 1. Nominal capacity rated at C/5, 20°C
- 2. Other capacities are for reference.
- 3. Weight and internal resistance are for reference.